

ENERGIZER CR1025

Lithium Coin

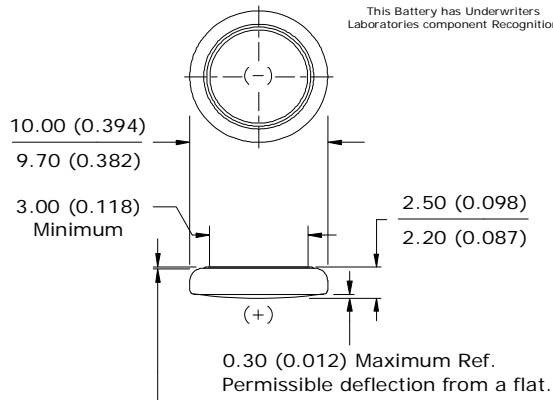


Industry Standard Dimensions

mm (inches)



This Battery has Underwriters Laboratories component Recognition



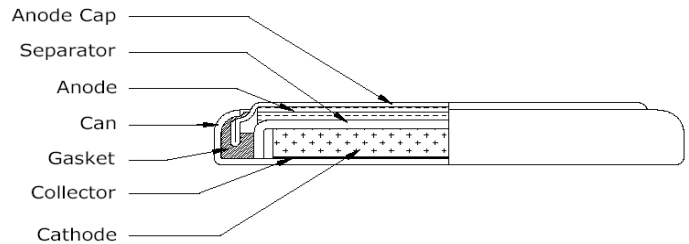
0.03 (0.001) Minimum Ref.
(Applies to top edge of gasket or edge of crimp, whichever is higher.)

Specifications

- Classification:** "Lithium Coin"
- Chemical System:** Lithium / Manganese Dioxide (Li/MnO₂)
- Designation:** ANSI-5033LC, IEC-CR1025
- Nominal Voltage:** 3.0 Volts
- Typical Capacity:** 30 mAh (to 2.0 volts)
(Rated at 68K ohms at 21°C)
- Typical Weight:** 0.7 grams (0.02 oz.)
- Typical Volume:** 0.2 cubic centimeters (0.01 cubic inch)
- Max Rev Charge:** 1 microampere
- Energy Density:** 124 milliwatt hr/g, 435 milliwatt hr/cc
- Typical Li Content:** 0.009 grams (0.0003 oz.)
- UL Listed:** MH12454
- Shipping:** For complete details, please reference:
Global (except US): Special Provision A45 of the International Air Transport Association Dangerous Goods Regulations
United States: 49 CFR 173.185

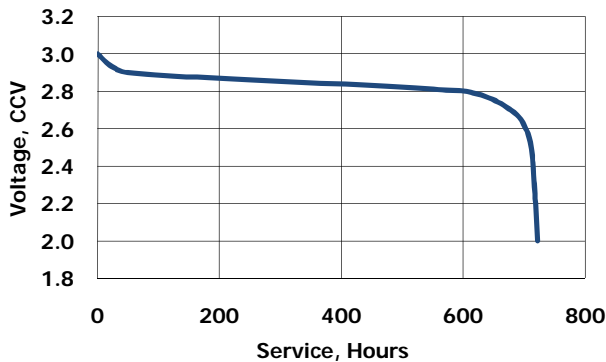
Safety - lithium coin batteries lodged in the esophagus should be removed immediately. Leakage, chemical burns and potential perforation can occur within hours of ingestion. Seek medical attention immediately. Have physician call the NATIONAL BATTERY INGESTION HOTLINE for advice and follow-up (202)-625-3333 collect day or night.

Cross Section



Typical Discharge Characteristics

Load: 68K ohms - Continuous
Typical Drain @ 2.9V: 0.043 mA



Simulated Application test

Typical Performance at 21°C (70°F)

Schedule:	Typical Drains: at 2.9V (mA)	Load (ohms)	Cutoff 2.0V (hours)
Continuous	0.043	68,000	721

Important Notice

This datasheet contains typical information specific to products manufactured at the time of its publication.
©Energizer Holdings, Inc. - Contents herein do not constitute a warranty.